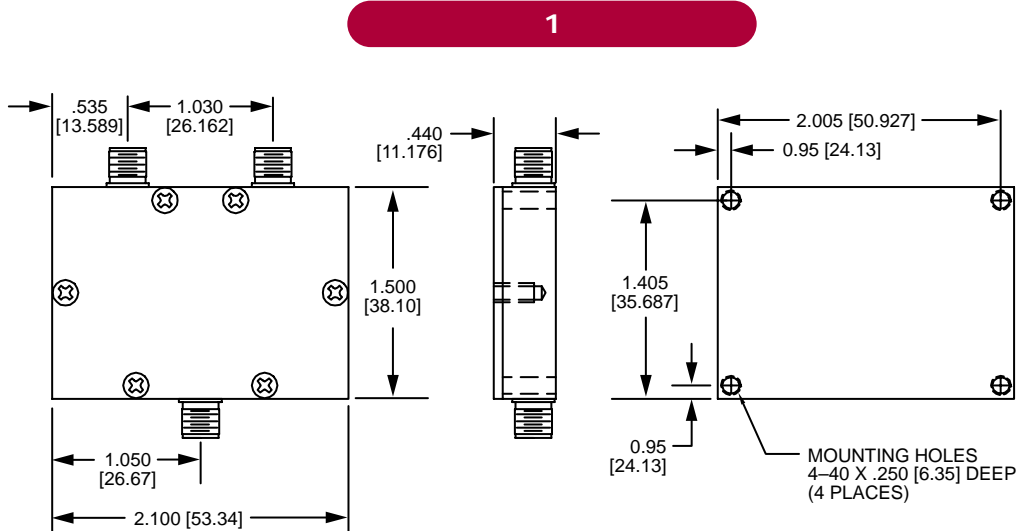


HIGH POWER DIVIDERS/COMBINERS

FREQUENCY (MHz)	MODEL NUMBER	INSERTION LOSS (±dB, Max.)	PHASE		VSWR (Max.)	POWER (Watts) (CW)	STANDARD CONNECTORS INPUT/OUTPUT	OUTLINE
			BALANCE (±Deg. Max.)	ISOLATION (dB, Min.)				
2-WAY DIVIDERS								
0.16 – 0.32	PD2-160/320-200S	0.3	3	14	1.25:1	200	SMA female	3
0.225 – 0.40	PD2-225/400-200S	0.4	4	14	1.25:1	200	SMA female	3
0.32 – 0.60	PD2-320/600-200S	0.3	3	16	1.25:1	200	SMA female	3
0.64 – 1.2	PD2-640/1200-200S	0.2	4	14	1.25:1	200	SMA female	1
0.8 – 0.9	PD2-800/900-250N	0.2	3	18	1.25:1	200	SMA female	1
0.93 – 1.25	PD2-930/1250-200S	0.2	4	20	1.25:1	200	SMA female	1
1 – 2	PD2-1000/2000-200S	0.2	4	16	1.25:1	200	SMA female	1
1 – 2	PD2-1000/2000-500N	0.3	4	18	1.25:1	500	N female	4
1.2 – 1.4	PD2-1200/1400-200S	0.2	3	20	1.25:1	200	SMA female	1
1.4 – 2.3	PD2-1400/2300-200S	0.2	3	20	1.25:1	200	SMA female	1
2 – 4	PD2-2000/4000-100S	0.25	3	20	1.25:1	100	SMA female	1
5 – 5.6	PD2-5000/5600-100N	0.6	3	20	1.25:1	100	N female	2
4 – 8	PD2-4000/8000-100S	0.25	4	20	1.25:1	100	SMA female	1
8 – 12	PD2-8000/12000-100S	0.3	4	20	1.25:1	100	SMA female	1
4-WAY DIVIDERS								
0.225 – 0.40	PD4-225/400-300N	0.4	4	15	1.25:1	300	N female	7
0.30 – 0.40	PD4-300/400-100S	0.2	3	20	1.2:1	100	SMA female	8
0.44 – 0.88	PD4-440/880-300N	0.5	3	20	1.25:1	300	N female	7
0.80 – 0.90	PD4-800/900-300N	0.4	4	18	1.25:1	300	N female	7
0.80 – 0.96	PD4-800/960-200N	0.4	3	20	1.25:1	100	N female	6
0.95 – 1.7	PD4-950/1700-200S	0.5	3	16	1.25:1	200	SMA female	5
0.50 – 2.5	PD4-500/2500-100N	1	3	20	1.5:1	100	N female	9
1 – 2	PD4-1000/2000-200N	0.5	5	18	1.25:1	250	N female	6
1.2 – 1.4	PD4-1200/1400-100N	0.5	5	20	1.25:1	500	N female	7
2 – 4	PD4-2000/4000-100N	0.5	3	18	1.25:1	200	N female	6
4 – 8	PD4-4000/8000-100N	0.5	3	18	1.25:1	200	N female	6
12.25 – 12.75	PD4-1225/1275-50N	0.75	3	18	1.25:1	50	N female	10
14 – 14.5	PD4-14000/14500-50N	0.75	3	18	1.25:1	50	N female	10

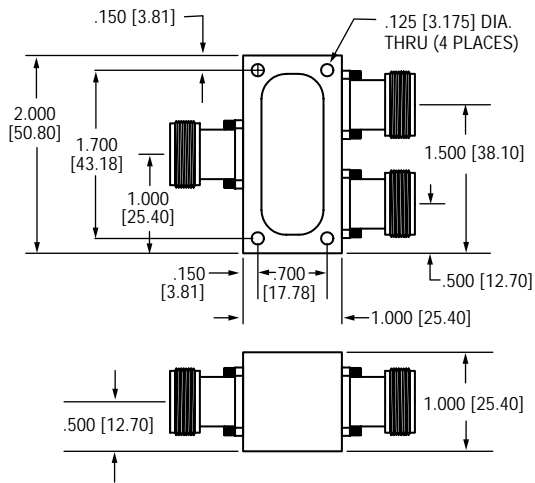
HIGH POWER DIVIDERS/COMBINERS OUTLINE DRAWINGS



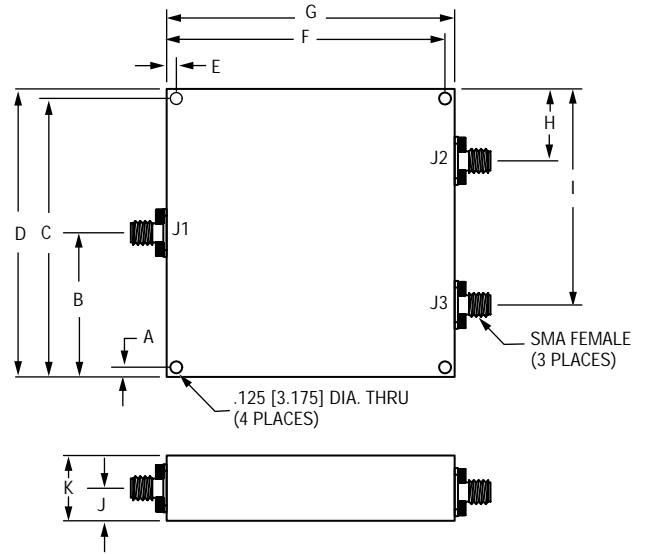
NOTE: DIMENSIONS SHOWN IN BRACKETS [] ARE IN MILLIMETERS.

HIGH POWER DIVIDERS/COMBINERS OUTLINE DRAWINGS (CONT.)

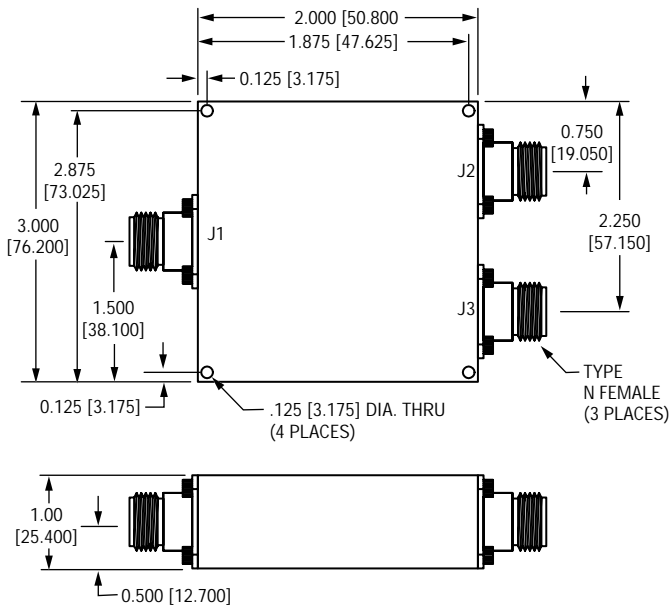
2



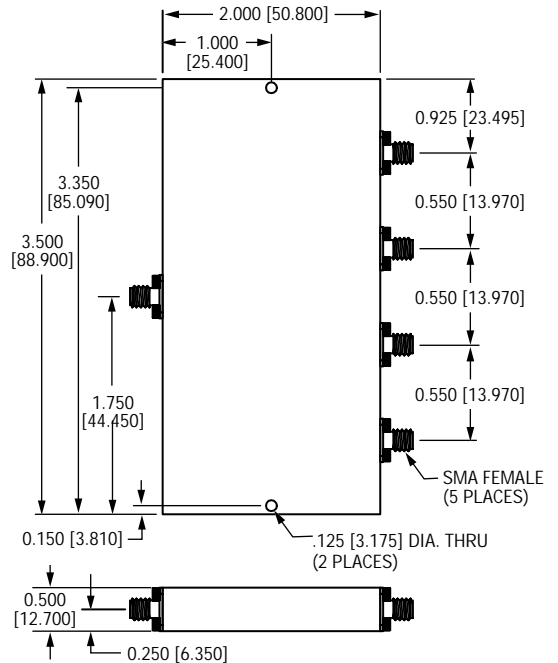
3



4



5



MODEL
NUMBER

DIMENSION

A B C D E F G H I J K

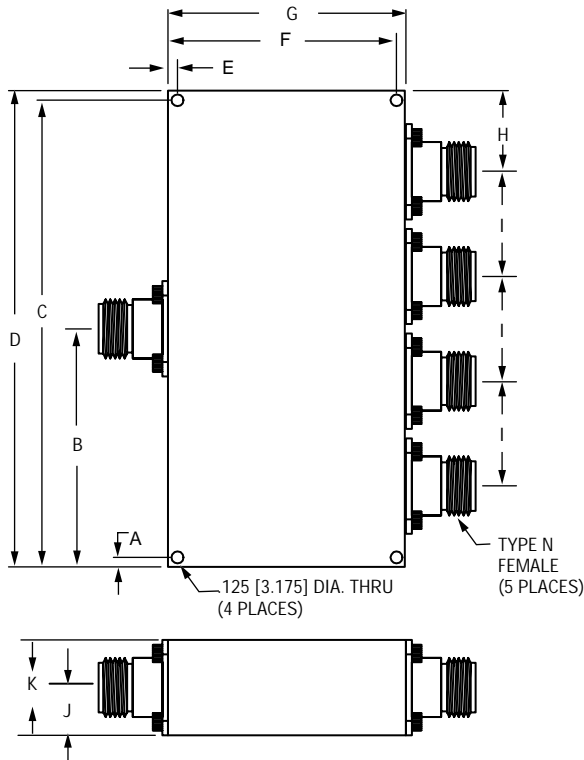
OUTLINE 3

PD2-160/320-200S	0.10 [2.54]	1.50 [38.1]	2.90 [73.66]	3.00 [76.20]	0.10 [2.54]	2.90 [73.66]	3.00 [76.20]	0.75 [19.05]	2.25 [57.15]	0.30 [7.62]	0.68 [17.27]
PD2-225/400-200S	0.10 [2.54]	1.50 [38.1]	2.90 [73.66]	3.00 [76.20]	0.10 [2.54]	2.90 [73.66]	3.00 [76.20]	0.75 [19.05]	2.25 [57.15]	0.30 [7.62]	0.68 [17.27]
PD2-320/600-200S	0.095 [2.413]	1.05 [26.67]	2.00 [50.80]	2.10 [53.34]	0.095 [2.413]	1.40 [35.56]	1.50 [38.10]	0.535 [13.589]	1.585 [40.259]	0.16 [4.06]	0.44 [11.18]

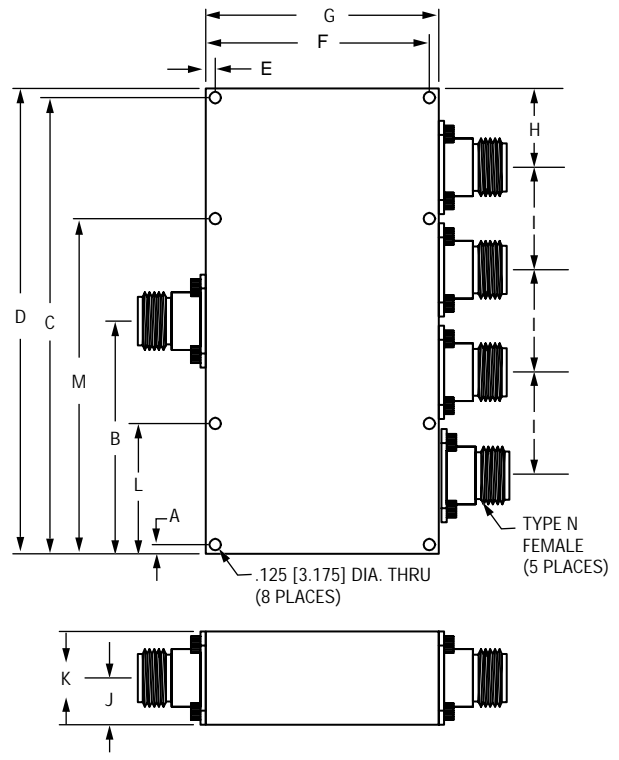
NOTE: DIMENSIONS SHOWN IN BRACKETS [] ARE IN MILLIMETERS.

HIGH POWER DIVIDERS/COMBINERS OUTLINE DRAWINGS (CONT.)

6



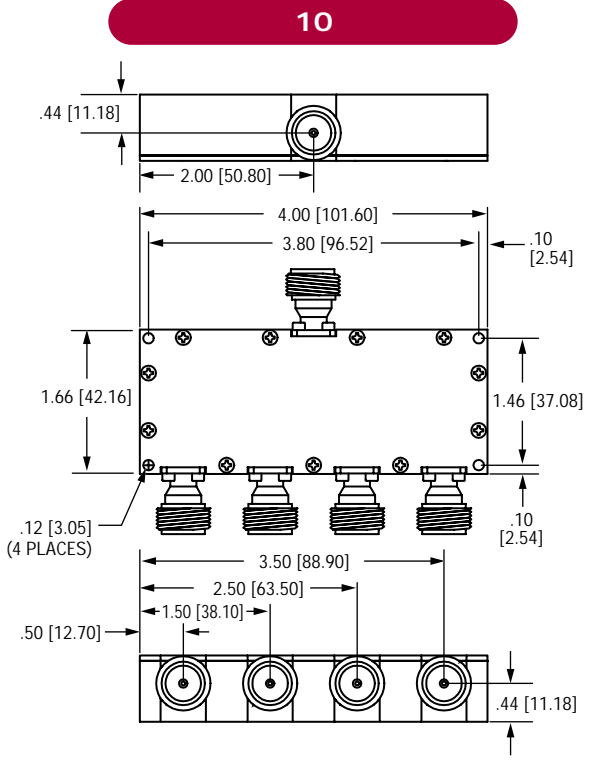
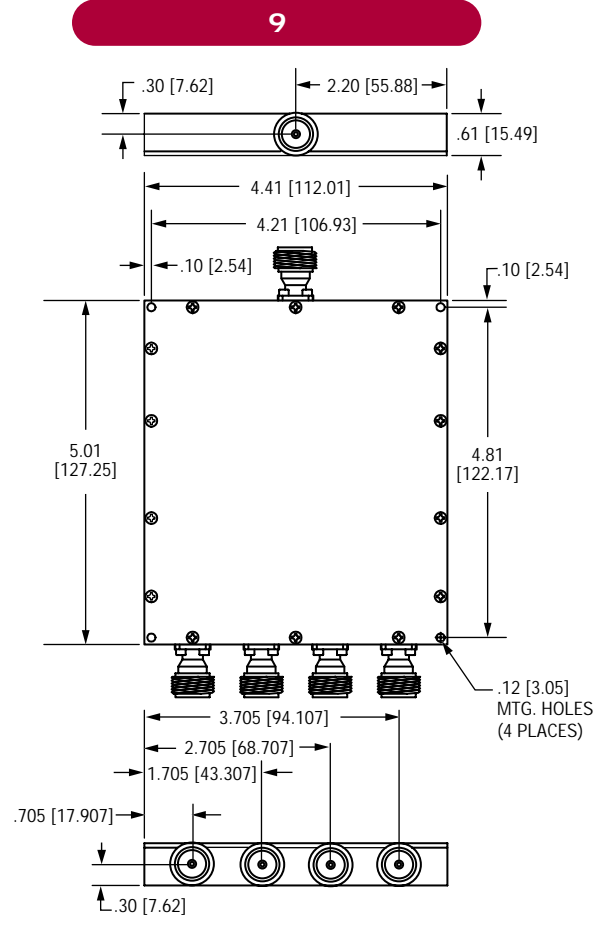
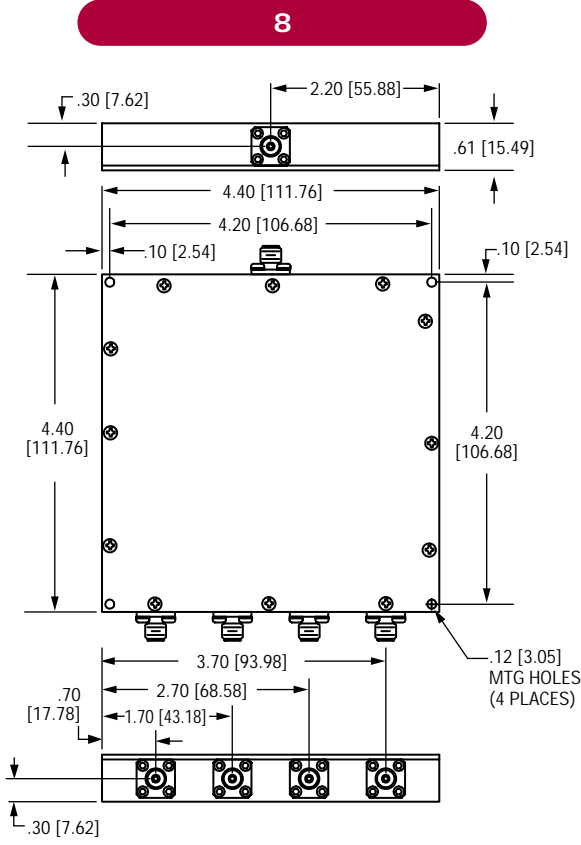
7



MODEL NUMBER	DIMENSION												
	A	B	C	D	E	F	G	H	I	J	K	L	M
OUTLINE 6													
PD4-800/960-200S	0.10 [2.54]	1.625 [41.275]	3.15 [80.01]	3.25 [82.55]	0.10 [2.54]	1.90 [48.26]	2.00 [50.80]	0.65 [16.51]	0.65 [16.51]	0.35 [8.89]	0.775 [19.685]	-	-
PD4-1000/2000-200N	0.125 [3.175]	2.50 [63.50]	4.875 [123.825]	5.00 [127.00]	0.125 [3.175]	2.375 [60.325]	2.50 [63.50]	0.85 [21.59]	1.10 [27.94]	0.415 [10.541]	0.91 [23.11]	-	-
PD4-2000/4000-100N	0.125 [3.175]	2.50 [63.50]	4.875 [123.825]	5.00 [127.00]	0.125 [3.175]	2.375 [60.325]	2.50 [63.50]	0.85 [21.59]	1.10 [27.94]	0.415 [10.541]	0.91 [23.11]	-	-
PD4-4000/8000-100N	0.125 [3.175]	2.50 [63.50]	4.875 [123.825]	5.00 [127.00]	0.125 [3.175]	2.375 [60.325]	2.50 [63.50]	0.85 [21.59]	1.10 [27.94]	0.415 [10.541]	0.91 [23.11]	-	-
OUTLINE 7													
PD4-225/400-300N	0.10 [2.54]	3.975 [100.965]	7.85 [199.39]	7.95 [201.93]	0.10 [2.54]	3.10 [78.74]	3.20 [81.28]	0.75 [19.05]	2.15 [54.61]	0.53 [13.46]	1.10 [27.94]	2.10 [53.34]	5.85 [148.59]
PD4-440/880-300N	0.125 [3.175]	3.25 [82.55]	6.375 [161.925]	6.50 [165.10]	0.125 [3.175]	5.125 [130.175]	5.25 [133.35]	1.00 [25.40]	1.50 [38.10]	0.50 [12.70]	1.50 [38.10]	1.75 [44.45]	4.75 [120.65]
PD4-800/900-300N	0.125 [3.175]	4.25 [107.95]	8.375 [212.725]	8.50 [215.90]	0.125 [3.175]	3.375 [85.725]	3.50 [88.90]	0.65 [16.51]	2.40 [60.96]	0.45 [11.43]	0.87 [22.10]	2.375 [60.325]	6.125 [155.575]
PD4-1200/1400-100N	0.125 [3.175]	3.00 [76.20]	5.875 [149.225]	6.00 [152.40]	0.125 [3.175]	3.875 [98.425]	4.00 [101.60]	0.75 [19.05]	1.50 [38.10]	0.60 [15.24]	1.20 [30.48]	3.00 [76.20]	-

NOTE: DIMENSIONS SHOWN IN BRACKETS [] ARE IN MILLIMETERS.

HIGH POWER DIVIDERS/COMBINERS OUTLINE DRAWINGS (CONT.)



NOTE: DIMENSIONS SHOWN IN BRACKETS [] ARE IN MILLIMETERS.